



LTL NUMBER: 07219

DATE: 02-04-2003

PREPARED FOR: PRECISION ARCHITECTURAL LIGHTING

CATALOG NUMBER: TRPO2-PP2-4-PB-120-T8

LUMINAIRE: EXTRUDED ALUMINUM HOUSING, FORMED SPECULAR ALUMINUM REFLECTORS BESIDE LAMPS, 12 CELL, 1 1/2" DEEP, FORMED SEMI-SPECULAR ALUMINUM LOUVER BELOW LAMPS, CLEAR POLYCARBONATE ENCLOSURE WITH LAMINATED PERFORATED SPECULAR LAYER ABOVE LAMPS.

LAMPS: TWO PHILIPS F32T8/TL841 RATED AT 2850 LUMENS EACH.

BALLAST: ONE ADVANCE REL-2P32-SC

MOUNTING: WALL

LUMEN TO CANDELA RATIO USED = 9.18

TOTAL INPUT WATTS = 55.6 AT 120.0 VOLTS

THE 0 DEGREE PLANE IS PERPENDICULAR TO THE LAMPS.

Table with columns: CANDELA DISTRIBUTION (0-180) and FLUX (100-20). Rows show lumen values for various angles.

ZONAL LUMEN SUMMARY

Table with columns: ZONE, LUMENS, %LAMP, %FIXT. Rows show lumen and percentage data for various zones.

TOTAL LUMINAIRE EFFICIENCY: 62.4%

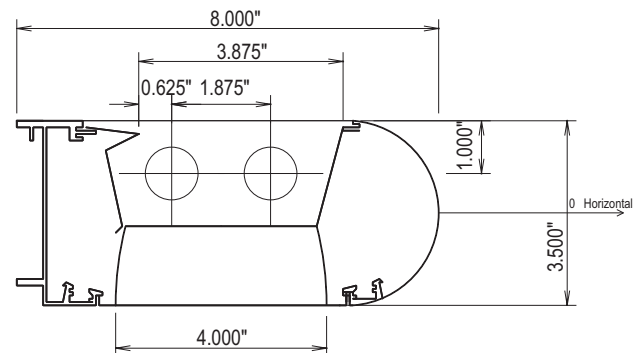
CIE TYPE: SEMI-DIRECT

PLANE: 0-DEG 90-DEG 180-DEG

SPACING CRITERIA: 1.5 1.2 1.4

SHIELDING ANGLES: 30 21 30

#07219



TESTED BY HERSCHEL SCHRECK
CHECKED BY MIKE GRATHER



LTL NUMBER: 07219

DATE: 02-04-2003

PREPARED FOR: PRECISION ARCHITECTURAL LIGHTING

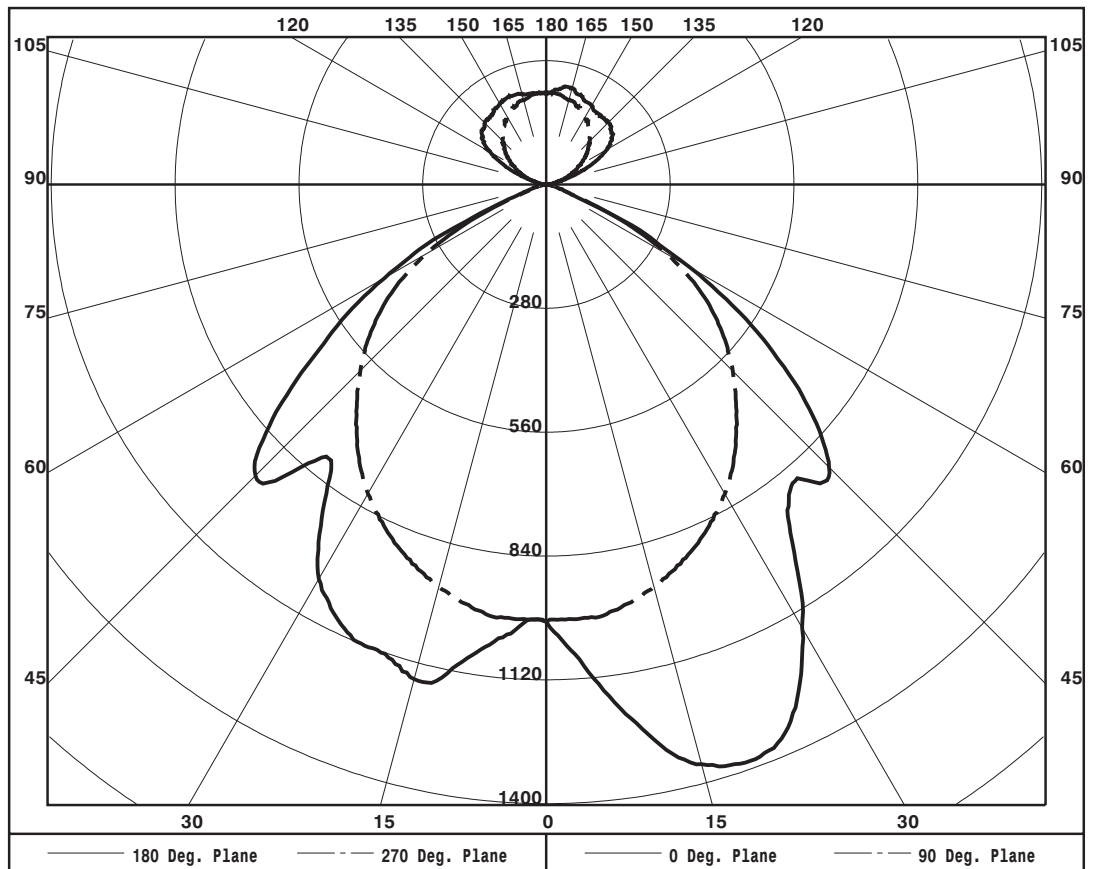
ZONAL LUMEN SUMMARY

0- 5	24.
5- 10	76.
10- 15	133.
15- 20	188.
20- 25	237.
25- 30	274.
30- 35	295.
35- 40	295.
40- 45	298.
45- 50	296.
50- 55	271.
55- 60	219.
60- 65	143.
65- 70	61.
70- 75	19.
75- 80	9.
80- 85	4.
85- 90	2.
90- 95	3.
95-100	6.
100-105	16.
105-110	30.
110-115	45.
115-120	56.
120-125	64.
125-130	67.
130-135	67.
135-140	65.
140-145	61.
145-150	57.
150-155	51.
155-160	44.
160-165	35.
165-170	25.
170-175	15.
175-180	5.

PLANE: 0-DEG 90-DEG
 LUMINOUS LENGTH: 4.000 48.000

LUMINANCE IN CANDELA PER SQUARE METER

ANGLE IN DEG	AVERAGE 0-DEG	AVERAGE 45-DEG	AVERAGE 90-DEG
0	7984.	7984.	7984.
45	10320.	8722.	6804.
55	8205.	8135.	6024.
65	3591.	4126.	3304.
75	749.	811.	717.
85	556.	648.	556.





LUMINAIRE TESTING LABORATORY, INC.



905 Harrison Street · Allentown, PA 18103 · (610) 770-1044 · Fax (610) 770-8912 · www.LuminaireTesting.com

LTL NUMBER: 07219

DATE: 02-04-2003

PREPARED FOR: PRECISION ARCHITECTURAL LIGHTING

COEFFICIENTS OF UTILIZATION - ZONAL CAVITY METHOD

EFFECTIVE FLOOR CAVITY REFLECTANCE 0.20

RC	80				70				50			30			10			0
RW	70	50	30	10	70	50	30	10	50	30	10	50	30	10	50	30	10	0
0	71	71	71	71	68	68	68	68	62	62	62	57	57	57	52	52	52	50
1	66	64	62	60	64	61	60	58	57	55	54	52	51	50	48	47	47	44
2	62	57	54	51	59	55	52	50	51	49	47	47	45	44	44	42	41	39
3	57	51	47	44	54	50	46	43	46	43	41	43	40	38	40	38	36	35
4	52	46	41	38	50	44	40	37	41	38	35	39	36	33	36	34	32	30
5	48	41	36	33	46	40	35	32	37	33	30	35	31	29	32	30	28	26
6	44	37	32	28	42	36	31	28	33	29	27	31	28	25	29	26	24	23
7	41	33	28	25	39	32	27	24	30	26	23	28	25	22	26	23	21	20
8	38	30	25	21	36	29	24	21	27	23	20	25	22	19	24	21	18	17
9	35	27	22	19	33	26	21	18	24	20	17	23	19	17	21	18	16	15
10	32	24	19	16	31	23	19	16	22	18	15	21	17	15	19	16	14	13

NOTE: THE ZONAL CAVITY CALCULATION TECHNIQUE IS ACCURATE WHEN LUMINAIRES WITH SYMMETRIC CANDELA DISTRIBUTIONS ARE EMPLOYED AND WHEN THE LUMINAIRES ARE LOCATED SYMMETRICALLY THROUGHOUT THE ROOM. THIS UNIT HAS SPECIAL CHARACTERISTICS AND THEREFORE THESE COEFFICIENTS SHOULD BE USED WITH CAUTION.

THIS TEST WAS CONDUCTED USING RELATIVE PHOTOMETRY TECHNIQUES ACCORDING TO STANDARD IESNA PROCEDURES. THE USER MUST THEREFORE USE CAUTION IN THE FOLLOWING SITUATIONS: 1) THIS TEST WAS PERFORMED USING A SPECIFIC BALLAST/LAMP COMBINATION. EXTRAPOLATION OF THESE DATA FOR OTHER BALLAST/LAMP COMBINATIONS MAY PRODUCE ERRONEOUS RESULTS. 2) ACCORDING TO IESNA PROCEDURES, THE BALLAST(S) AND LAMP(S) ARE PRESUMED TO PRODUCE 100% OF RATED OUTPUT. AN APPROPRIATE BALLAST FACTOR MUST BE APPLIED TO THE LUMEN OUTPUT RATINGS AND LUMINOUS INTENSITY VALUES GIVEN. 3) THIS TEST WAS CONDUCTED IN A CONTROLLED LABORATORY ENVIRONMENT WHERE THE AMBIENT TEMPERATURE WAS HELD AT 25 C 1 C. FIELD PERFORMANCE MAY DIFFER PARTICULARLY IN REGARDS TO CHANGE IN LUMINOUS OUTPUT AS A RESULT OF DIFFERENCE IN AMBIENT TEMPERATURE AND METHOD OF MOUNTING THE LUMINAIRE.



LUMINAIRE TESTING LABORATORY, INC.



905 Harrison Street · Allentown, PA 18103 · (610) 770-1044 · Fax (610) 770-8912 · www.LuminaireTesting.com

INITIAL ILLUMINATION OF 50 FOOTCANDLES USING LTL TEST NUMBER 07219
LUMINAIRE SUSPENSION LENGTH = 1.5
WORKING PLANE HEIGHT = 2.50
FLOOR REFLECTANCE = 20

Table with columns for ROOM HT, CEIL RF, WALL RF, and a grid of values for WIDTH and LENGTH. Values range from 2 to 144.

QUANTITY OF LUMINAIRES