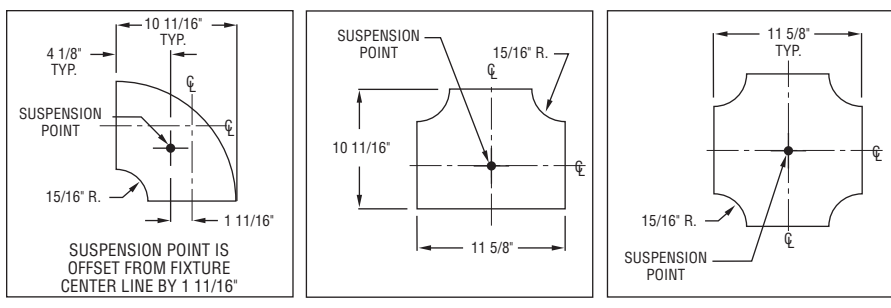


Catalog Number	Type
Project Name	

Trilinea Series

Connector Specifications

HOUSING STYLE "O" (O B R O U N D)



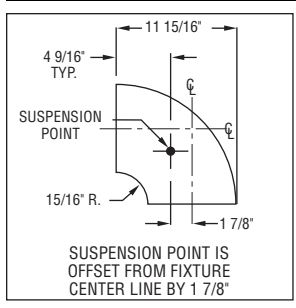
90° Elbow **3-Way "T"** **4-Way "X"**

Construction One piece .188" thick cast aluminum with internal joiner plates.

Finish Standard and premium finishes are baked powder coat electrostatically applied (2.0 mil. minimum thickness) to assure aesthetics and durability.

HOUSING STYLE	MOUNTING																												
TRS-O-L90-CN-F01G																													
SERIES	CONNECTOR TYPE																												
	L90 = 90° Elbow T = 3-Way Connector X = 4-Way Connector L__° = (Specify angle)																												
<table border="0"> <tr> <td colspan="2">Standard Finishes</td> </tr> <tr> <td>F01M Matte White</td> <td>F13 Merlot</td> </tr> <tr> <td colspan="2">Premium Finishes</td> </tr> <tr> <td>F01G Gloss White</td> <td>F14 Red Skies</td> </tr> <tr> <td>F02 Ivory</td> <td>F15 Lemon</td> </tr> <tr> <td>F03 Stonewash</td> <td>F16 Forest Hunter</td> </tr> <tr> <td>F04 Camel</td> <td>F17 Olive</td> </tr> <tr> <td>F05 Gray Day</td> <td>F18 Khaki</td> </tr> <tr> <td>F06 Pebble Beach</td> <td>F19 Heather Green</td> </tr> <tr> <td>F07 Steel</td> <td>F20 Blue Print</td> </tr> <tr> <td>F08 Gray Seal</td> <td>F21 Reflex Blue</td> </tr> <tr> <td>F09 Mocha</td> <td>F22 Navy</td> </tr> <tr> <td>F10 Bronzed</td> <td>FCC Custom Color</td> </tr> <tr> <td>F11 Black</td> <td>F12 Ultrasonic Clear</td> </tr> </table>		Standard Finishes		F01M Matte White	F13 Merlot	Premium Finishes		F01G Gloss White	F14 Red Skies	F02 Ivory	F15 Lemon	F03 Stonewash	F16 Forest Hunter	F04 Camel	F17 Olive	F05 Gray Day	F18 Khaki	F06 Pebble Beach	F19 Heather Green	F07 Steel	F20 Blue Print	F08 Gray Seal	F21 Reflex Blue	F09 Mocha	F22 Navy	F10 Bronzed	FCC Custom Color	F11 Black	F12 Ultrasonic Clear
Standard Finishes																													
F01M Matte White	F13 Merlot																												
Premium Finishes																													
F01G Gloss White	F14 Red Skies																												
F02 Ivory	F15 Lemon																												
F03 Stonewash	F16 Forest Hunter																												
F04 Camel	F17 Olive																												
F05 Gray Day	F18 Khaki																												
F06 Pebble Beach	F19 Heather Green																												
F07 Steel	F20 Blue Print																												
F08 Gray Seal	F21 Reflex Blue																												
F09 Mocha	F22 Navy																												
F10 Bronzed	FCC Custom Color																												
F11 Black	F12 Ultrasonic Clear																												

HOUSING STYLE "E" (E L L I P T I C A L)



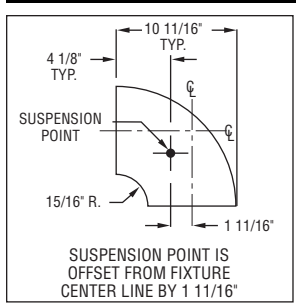
90° Elbow

Construction Two piece .125" thick cast aluminum with internal joiner plates.

Finish Standard and premium finishes are baked powder coat electrostatically applied (2.0 mil. minimum thickness) to assure aesthetics and durability.

HOUSING STYLE	MOUNTING																												
TRS-E-L90-CN-F01G																													
SERIES	CONNECTOR TYPE																												
	L90 = 90° Elbow L__° = (Specify angle)																												
<table border="0"> <tr> <td colspan="2">Standard Finishes</td> </tr> <tr> <td>F01M Matte White</td> <td>F13 Merlot</td> </tr> <tr> <td colspan="2">Premium Finishes</td> </tr> <tr> <td>F01G Gloss White</td> <td>F14 Red Skies</td> </tr> <tr> <td>F02 Ivory</td> <td>F15 Lemon</td> </tr> <tr> <td>F03 Stonewash</td> <td>F16 Forest Hunter</td> </tr> <tr> <td>F04 Camel</td> <td>F17 Olive</td> </tr> <tr> <td>F05 Gray Day</td> <td>F18 Khaki</td> </tr> <tr> <td>F06 Pebble Beach</td> <td>F19 Heather Green</td> </tr> <tr> <td>F07 Steel</td> <td>F20 Blue Print</td> </tr> <tr> <td>F08 Gray Seal</td> <td>F21 Reflex Blue</td> </tr> <tr> <td>F09 Mocha</td> <td>F22 Navy</td> </tr> <tr> <td>F10 Bronzed</td> <td>FCC Custom Color</td> </tr> <tr> <td>F11 Black</td> <td>F12 Ultrasonic Clear</td> </tr> </table>		Standard Finishes		F01M Matte White	F13 Merlot	Premium Finishes		F01G Gloss White	F14 Red Skies	F02 Ivory	F15 Lemon	F03 Stonewash	F16 Forest Hunter	F04 Camel	F17 Olive	F05 Gray Day	F18 Khaki	F06 Pebble Beach	F19 Heather Green	F07 Steel	F20 Blue Print	F08 Gray Seal	F21 Reflex Blue	F09 Mocha	F22 Navy	F10 Bronzed	FCC Custom Color	F11 Black	F12 Ultrasonic Clear
Standard Finishes																													
F01M Matte White	F13 Merlot																												
Premium Finishes																													
F01G Gloss White	F14 Red Skies																												
F02 Ivory	F15 Lemon																												
F03 Stonewash	F16 Forest Hunter																												
F04 Camel	F17 Olive																												
F05 Gray Day	F18 Khaki																												
F06 Pebble Beach	F19 Heather Green																												
F07 Steel	F20 Blue Print																												
F08 Gray Seal	F21 Reflex Blue																												
F09 Mocha	F22 Navy																												
F10 Bronzed	FCC Custom Color																												
F11 Black	F12 Ultrasonic Clear																												

HOUSING STYLE "R" (R E C T A N G U L A R)



90° Elbow

Construction Two piece .125" thick cast aluminum with internal joiner plates.

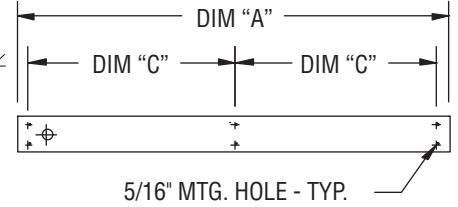
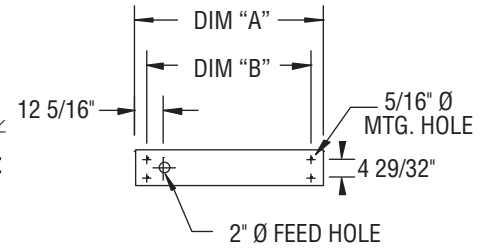
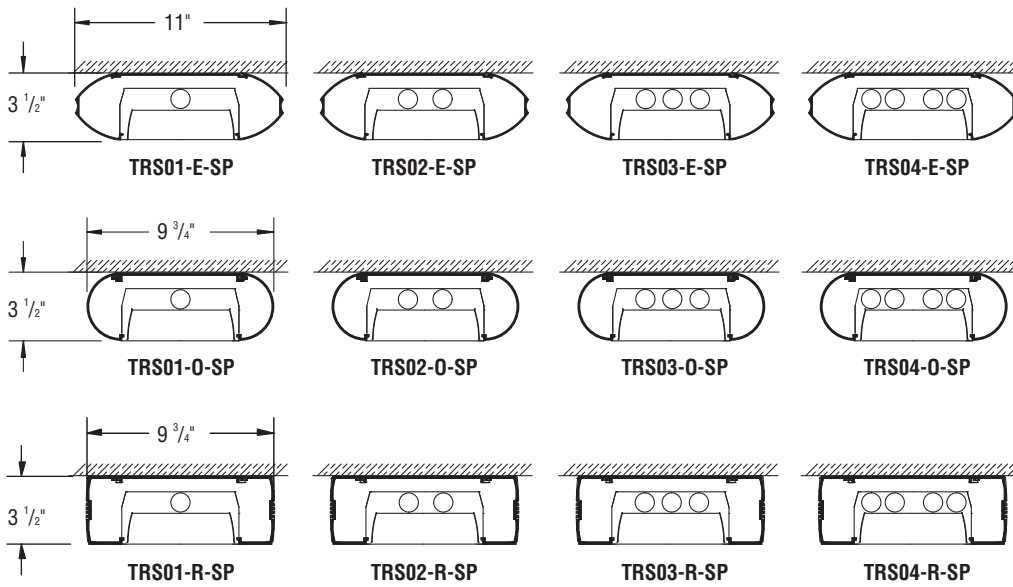
Finish Standard and premium finishes are baked powder coat electrostatically applied (2.0 mil. minimum thickness) to assure aesthetics and durability.

HOUSING STYLE	MOUNTING																												
TRS-R-L90-CN-F01G																													
SERIES	CONNECTOR TYPE																												
	L90 = 90° Elbow L__° = (Specify angle)																												
<table border="0"> <tr> <td colspan="2">Standard Finishes</td> </tr> <tr> <td>F01M Matte White</td> <td>F13 Merlot</td> </tr> <tr> <td colspan="2">Premium Finishes</td> </tr> <tr> <td>F01G Gloss White</td> <td>F14 Red Skies</td> </tr> <tr> <td>F02 Ivory</td> <td>F15 Lemon</td> </tr> <tr> <td>F03 Stonewash</td> <td>F16 Forest Hunter</td> </tr> <tr> <td>F04 Camel</td> <td>F17 Olive</td> </tr> <tr> <td>F05 Gray Day</td> <td>F18 Khaki</td> </tr> <tr> <td>F06 Pebble Beach</td> <td>F19 Heather Green</td> </tr> <tr> <td>F07 Steel</td> <td>F20 Blue Print</td> </tr> <tr> <td>F08 Gray Seal</td> <td>F21 Reflex Blue</td> </tr> <tr> <td>F09 Mocha</td> <td>F22 Navy</td> </tr> <tr> <td>F10 Bronzed</td> <td>FCC Custom Color</td> </tr> <tr> <td>F11 Black</td> <td>F12 Ultrasonic Clear</td> </tr> </table>		Standard Finishes		F01M Matte White	F13 Merlot	Premium Finishes		F01G Gloss White	F14 Red Skies	F02 Ivory	F15 Lemon	F03 Stonewash	F16 Forest Hunter	F04 Camel	F17 Olive	F05 Gray Day	F18 Khaki	F06 Pebble Beach	F19 Heather Green	F07 Steel	F20 Blue Print	F08 Gray Seal	F21 Reflex Blue	F09 Mocha	F22 Navy	F10 Bronzed	FCC Custom Color	F11 Black	F12 Ultrasonic Clear
Standard Finishes																													
F01M Matte White	F13 Merlot																												
Premium Finishes																													
F01G Gloss White	F14 Red Skies																												
F02 Ivory	F15 Lemon																												
F03 Stonewash	F16 Forest Hunter																												
F04 Camel	F17 Olive																												
F05 Gray Day	F18 Khaki																												
F06 Pebble Beach	F19 Heather Green																												
F07 Steel	F20 Blue Print																												
F08 Gray Seal	F21 Reflex Blue																												
F09 Mocha	F22 Navy																												
F10 Bronzed	FCC Custom Color																												
F11 Black	F12 Ultrasonic Clear																												

Trilinea Series (T8, T5 or T5HO Lamps)

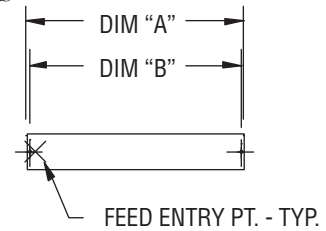
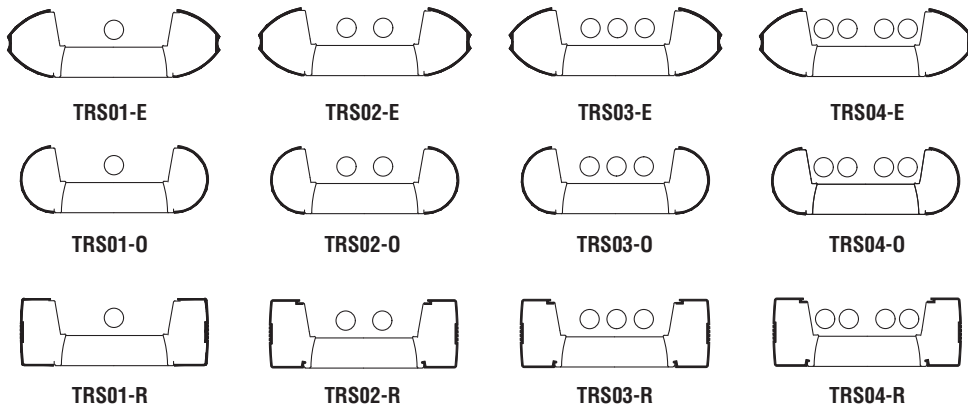
Standard Fixture Lengths and Mounting Centers

Ceiling Mount – Direct Configurations



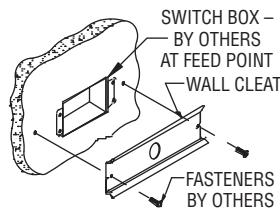
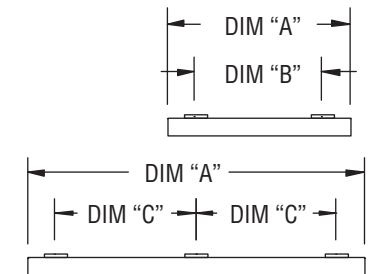
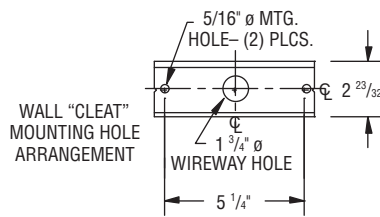
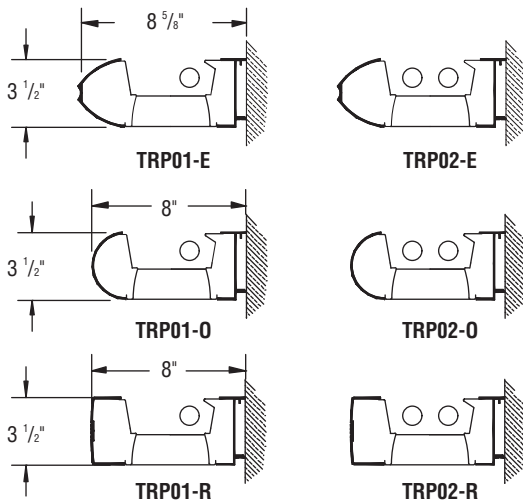
FIXTURE LENGTH	MOUNTING CENTERS	
DIM "A"	DIM "B"	DIM "C"
48 5/8"	36"	–
96 5/8"	84"	–
144 5/8"	–	66"

Stem & Cable Mount – Indirect/Direct and Direct Configurations



FIXTURE LENGTH	MOUNTING CENTERS
DIM "A"	DIM "B"
48 5/8"	48"
96 5/8"	96"
144 5/8"	144"

Wall Mount – Indirect/Direct and Direct Configurations



FIXTURE LENGTH	MOUNTING CENTERS	
DIM "A"	DIM "B"	DIM "C"
48 5/8"	36"	–
96 5/8"	84"	–
144 5/8"	–	66"

PAL RESERVES THE RIGHT TO CHANGE PRODUCT DESIGN AND SPECIFICATIONS. CONTACT FACTORY FOR MOST RECENT PRODUCT INFORMATION.

