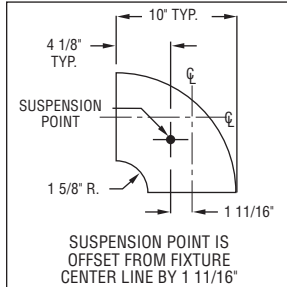


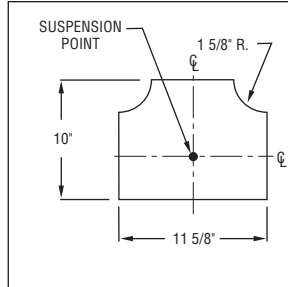
# AE8300

## Connector Specifications

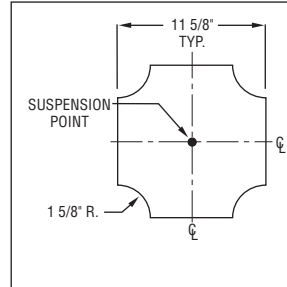
### S P E C I F I C A T I O N S



90° Elbow



3-Way "T"



4-Way "X"

**AE8300 Series** 8 3/8" x 3" Ellipse.

**Construction** One piece .188" thick cast aluminum with internal joiner plates.

**Finish** Standard and premium finishes are baked powder coat electrostatically applied (2.0 mil. minimum thickness) to assure aesthetics and durability.

### H O W T O O R D E R

Standard connectors are 2-way, 3-way "T", and 4-way "X".  
Optional variable degree connectors are also available.

#### Catalog Logic

All connectors should be specified and ordered as follows:

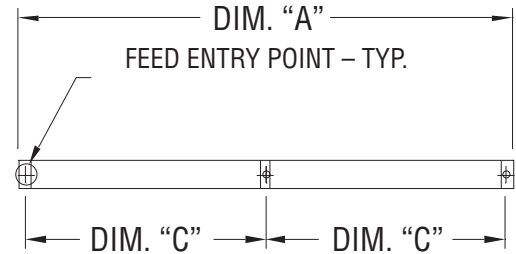
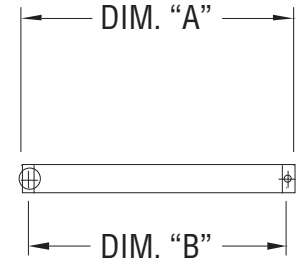
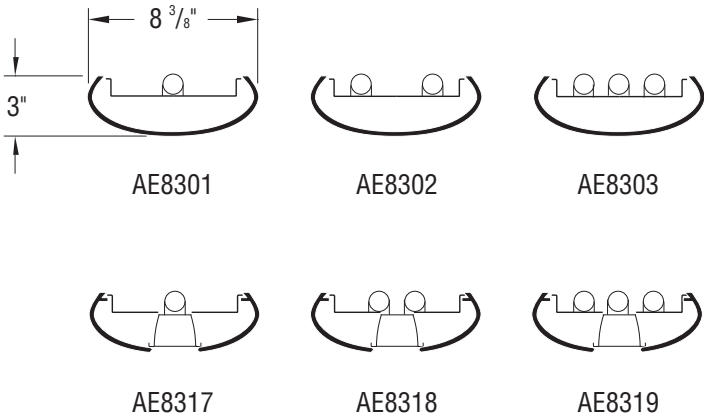
<p><b>SERIES</b></p>	<p><b>Mounting</b></p> <p><b>CN</b> = Cable (Non-Tbar) Fully Adjustable (36" Standard)  <b>P</b> = Rigid Stem (Up to 48" Standard)  <b>K</b> = Swivel Stem (Up to 48" Standard)</p>																						
<p><b>AE8300-L90-CN-F01G</b></p>																							
<p><b>CONNECTOR TYPE</b></p> <p><b>L90</b> = 90° Elbow  <b>T</b> = 3-Way Connector  <b>X</b> = 4-Way Connector  <b>L__°</b> = (Specify angle)</p> <div style="border: 1px solid black; padding: 5px; margin-top: 10px;"> </div>	<p><b>Standard Finish</b></p> <p><b>F01M</b> Matte White  <b>F01G</b> Gloss White  <b>Premium Finishes</b></p> <table border="0"> <tr> <td><b>F02</b> Ivory</td> <td><b>F13</b> Merlot</td> </tr> <tr> <td><b>F03</b> Stonewash</td> <td><b>F14</b> Red Skies</td> </tr> <tr> <td><b>F04</b> Camel</td> <td><b>F15</b> Lemon</td> </tr> <tr> <td><b>F05</b> Gray Day</td> <td><b>F16</b> Forest Hunter</td> </tr> <tr> <td><b>F06</b> Pebble Beach</td> <td><b>F17</b> Olive</td> </tr> <tr> <td><b>F07</b> Steel</td> <td><b>F18</b> Khaki</td> </tr> <tr> <td><b>F08</b> Gray Seal</td> <td><b>F19</b> Heather Green</td> </tr> <tr> <td><b>F09</b> Mocha</td> <td><b>F20</b> Blue Print</td> </tr> <tr> <td><b>F10</b> Bronzed</td> <td><b>F21</b> Reflex Blue</td> </tr> <tr> <td><b>F11</b> Black</td> <td><b>F22</b> Navy</td> </tr> <tr> <td><b>F12</b> Ultrasonic Clear</td> <td><b>FCC</b> Custom Color</td> </tr> </table> <p>To view Wood Grain, Marble and Granite Finishes on our Website see "Products"-&gt;"Specialty Finishes".</p>	<b>F02</b> Ivory	<b>F13</b> Merlot	<b>F03</b> Stonewash	<b>F14</b> Red Skies	<b>F04</b> Camel	<b>F15</b> Lemon	<b>F05</b> Gray Day	<b>F16</b> Forest Hunter	<b>F06</b> Pebble Beach	<b>F17</b> Olive	<b>F07</b> Steel	<b>F18</b> Khaki	<b>F08</b> Gray Seal	<b>F19</b> Heather Green	<b>F09</b> Mocha	<b>F20</b> Blue Print	<b>F10</b> Bronzed	<b>F21</b> Reflex Blue	<b>F11</b> Black	<b>F22</b> Navy	<b>F12</b> Ultrasonic Clear	<b>FCC</b> Custom Color
<b>F02</b> Ivory	<b>F13</b> Merlot																						
<b>F03</b> Stonewash	<b>F14</b> Red Skies																						
<b>F04</b> Camel	<b>F15</b> Lemon																						
<b>F05</b> Gray Day	<b>F16</b> Forest Hunter																						
<b>F06</b> Pebble Beach	<b>F17</b> Olive																						
<b>F07</b> Steel	<b>F18</b> Khaki																						
<b>F08</b> Gray Seal	<b>F19</b> Heather Green																						
<b>F09</b> Mocha	<b>F20</b> Blue Print																						
<b>F10</b> Bronzed	<b>F21</b> Reflex Blue																						
<b>F11</b> Black	<b>F22</b> Navy																						
<b>F12</b> Ultrasonic Clear	<b>FCC</b> Custom Color																						



# AE8300 (T8 Lamps)\*

## Standard Fixture Lengths and Mounting Centers.

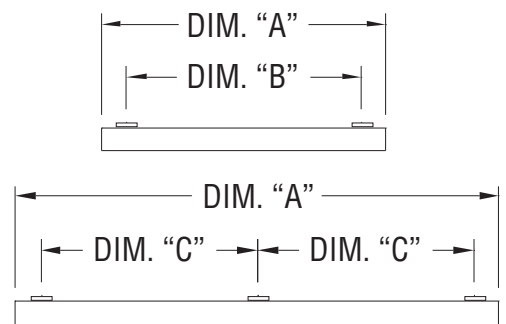
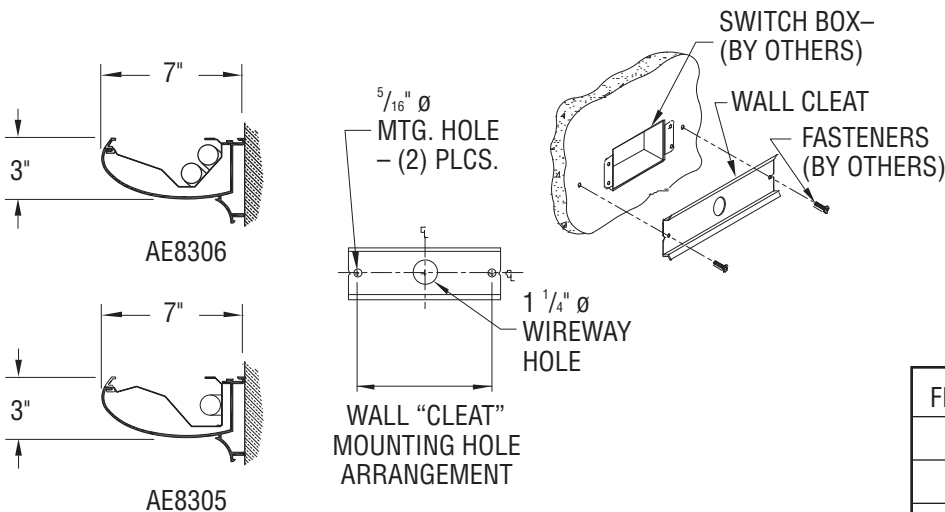
### Stem & Cable – Indirect & Indirect/Direct Configurations



FIXTURE LENGTH	MOUNTING CENTERS	
	Dim "B"	Dim "C"
4' - 4 3/8"	4' - 2"	—
8' - 4 3/8"	8' - 2"	—
12' - 4 3/8"	12' - 2"	—

\*Note: For data for T5 or T5H0 lamps contact factory.

### Wall Mount Configurations



FIXTURE LENGTH	MOUNTING CENTERS	
	Dim "B"	Dim "C"
4' - 0 3/8"	3' - 0"	—
8' - 0 3/8"	7' - 0"	—
12' - 0 3/8"	—	5' - 6"

\*Note: For data for T5 or T5H0 lamps contact factory.

