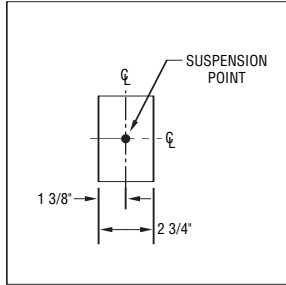
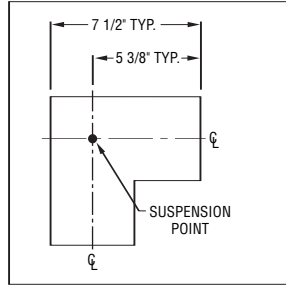


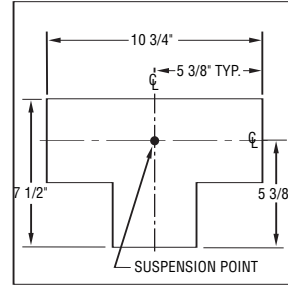
S P E C I F I C A T I O N S



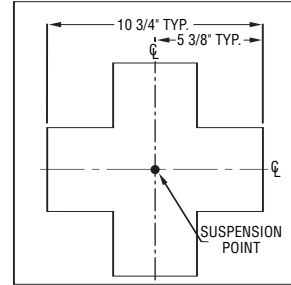
In-Line Connector



90° Elbow



3-Way "T"

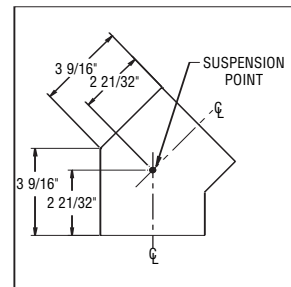


4-Way "X"

Perfekta Series 10" x 2 7/8" Indirect.

Construction One piece .100" thick cast aluminum.

Finish Standard and premium finishes are baked powder coat electrostatically applied (2.0 mil. minimum thickness) to assure aesthetics and durability.



45° Elbow

H O W T O O R D E R

Standard connectors are 2-way 90°, 3-way "T", and 4-way "X".

Catalog Logic

All connectors should be specified and ordered as follows:

SERIES

MOUNTING

- CN** = Cable (Non-Tbar) Fully Adjustable (36" Standard)
- P** - Rigid Stem (Up to 48" Standard)
- K** - Swivel Stem (Up to 48" Standard)

P F S - L 9 0 - C N - F 0 1 G

CONNECTOR TYPE

- L45** = 45° Elbow
- L90** = 90° Elbow
- T** = 3-Way Connector
- X** = 4-Way Connector

Standard Finish

- F01M** Matte White
- F01G** Gloss White

Premium Finishes

- F02** Ivory
- F03** Stonewash
- F04** Camel
- F05** Gray Day
- F06** Pebble Beach
- F07** Steel
- F08** Gray Seal
- F09** Mocha
- F10** Bronzed
- F11** Black
- F12** Ultrasonic Clear
- F13** Merlot
- F14** Red Skies
- F15** Lemon
- F16** Forest Hunter
- F17** Olive
- F18** Khaki
- F19** Heather Green
- F20** Blue Print
- F21** Reflex Blue
- F22** Navy
- FCG** Custom Color

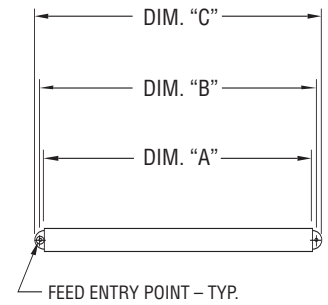
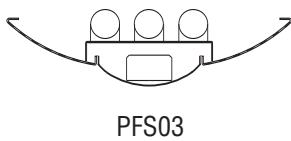
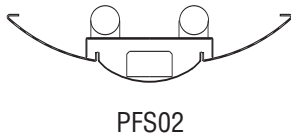
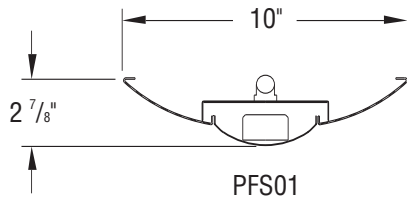
To view Wood Grain, Marble and Granite Finishes on our Website see "Products"--"Specialty Finishes".



Perfekta

Fixture Lengths and Mounting Centers.

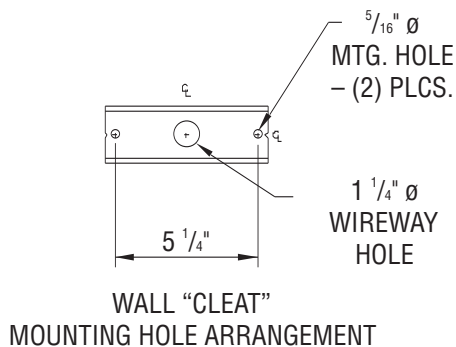
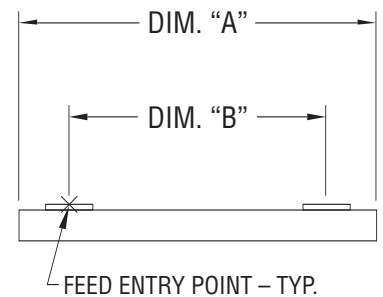
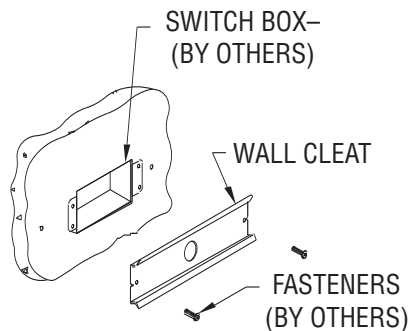
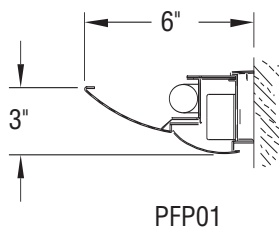
Stem & Cable – Indirect Configurations



WITH FLAT END (FE)		
FIXTURE LENGTH	MOUNTING CENTERS	O.A. DIMENSION
Dim "A"	Dim "B"	Dim "C"
4' - 0 1/4"	4' - 1 3/16"	4' - 2 3/16"
8' - 0 1/4"	8' - 1 3/16"	8' - 2 3/16"

WITH ROUNDED END (RE)		
FIXTURE LENGTH	MOUNTING CENTERS	O.A. DIMENSION
Dim "A"	Dim "B"	Dim "C"
4' - 0 1/4"	4' - 3"	4' - 4 1/4"
8' - 0 1/4"	8' - 3"	8' - 4 1/4"

Wall Mount Configurations



FIXTURE LENGTH	MOUNTING CENTERS
Dim "A"	Dim "B"
4' - 0 3/8"	3' - 0"
8' - 0 3/8"	7' - 0"

