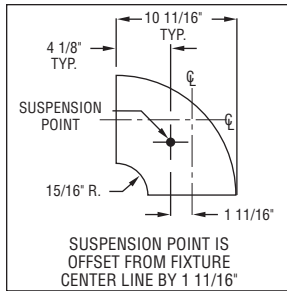


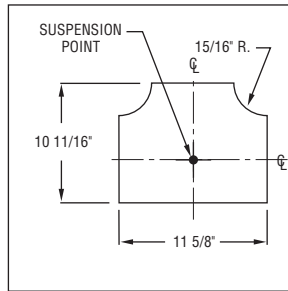
Trilinea Series

Connector Specifications

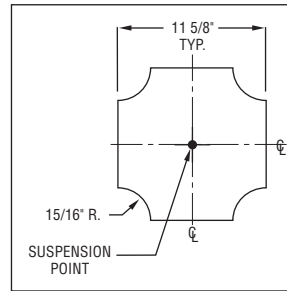
HOUSING STYLE "O" (O B R O U N D)



90° Elbow



3-Way "T"



4-Way "X"

Construction One piece .188" thick cast aluminum with internal joiner plates.

Finish Standard and premium finishes are baked powder coat electrostatically applied (2.0 mil. minimum thickness) to assure aesthetics and durability.

HOUSING STYLE

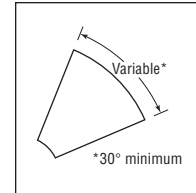
HOUSING STYLE

TRS-O-L90-CN-F01G

SERIES L90 = 90° Elbow
CONNECTOR TYPE T = 3-Way Connector
 X = 4-Way Connector
 L__° = (Specify angle)

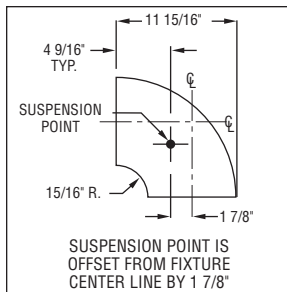
Standard Finish
 F01M Matte White
 F01G Gloss White
Premium Finishes

F02 Ivory	F13 Merlot
F03 Stonewash	F14 Red Skies
F04 Camel	F15 Lemon
F05 Gray Day	F16 Forest Hunter
F06 Pebble Beach	F17 Olive
F07 Steel	F18 Khaki
F08 Gray Seal	F19 Heather Green
F09 Mocha	F20 Blue Print
F10 Bronzed	F21 Reflex Blue
F11 Black	F22 Navy
F12 Ultrasonic Clear	FCC Custom Color



To view Wood Grain, Marble and Granite Finishes on our Website see "Products"- "Specialty Finishes".

HOUSING STYLE "E" (E L L I P T I C A L)



90° Elbow

Construction Two piece .125" thick cast aluminum with internal joiner plates.

Finish Standard and premium finishes are baked powder coat electrostatically applied (2.0 mil. minimum thickness) to assure aesthetics and durability.

HOUSING STYLE

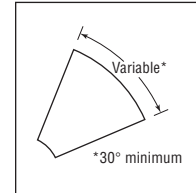
HOUSING STYLE

TRS-E-L90-CN-F01G

SERIES L90 = 90° Elbow
CONNECTOR TYPE L__° = (Specify angle)

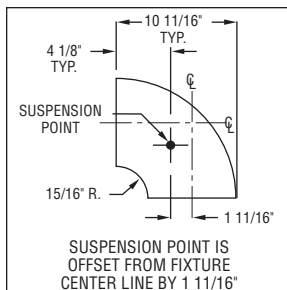
Standard Finish
 F01M Matte White
 F01G Gloss White
Premium Finishes

F02 Ivory	F13 Merlot
F03 Stonewash	F14 Red Skies
F04 Camel	F15 Lemon
F05 Gray Day	F16 Forest Hunter
F06 Pebble Beach	F17 Olive
F07 Steel	F18 Khaki
F08 Gray Seal	F19 Heather Green
F09 Mocha	F20 Blue Print
F10 Bronzed	F21 Reflex Blue
F11 Black	F22 Navy
F12 Ultrasonic Clear	FCC Custom Color



To view Wood Grain, Marble and Granite Finishes on our Website see "Products"- "Specialty Finishes".

HOUSING STYLE "R" (R E C T A N G U L A R)



90° Elbow

Construction Two piece .125" thick cast aluminum with internal joiner plates.

Finish Standard and premium finishes are baked powder coat electrostatically applied (2.0 mil. minimum thickness) to assure aesthetics and durability.

HOUSING STYLE

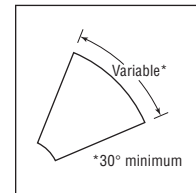
HOUSING STYLE

TRS-R-L90-CN-F01G

SERIES L90 = 90° Elbow
CONNECTOR TYPE L__° = (Specify angle)

Standard Finish
 F01M Matte White
 F01G Gloss White
Premium Finishes

F02 Ivory	F13 Merlot
F03 Stonewash	F14 Red Skies
F04 Camel	F15 Lemon
F05 Gray Day	F16 Forest Hunter
F06 Pebble Beach	F17 Olive
F07 Steel	F18 Khaki
F08 Gray Seal	F19 Heather Green
F09 Mocha	F20 Blue Print
F10 Bronzed	F21 Reflex Blue
F11 Black	F22 Navy
F12 Ultrasonic Clear	FCC Custom Color



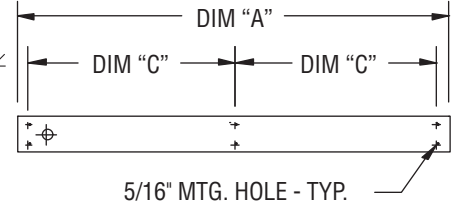
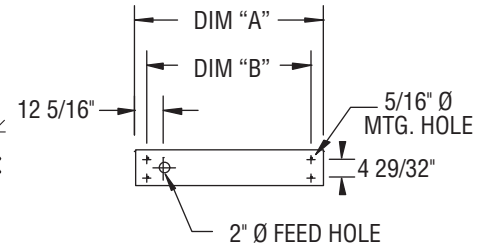
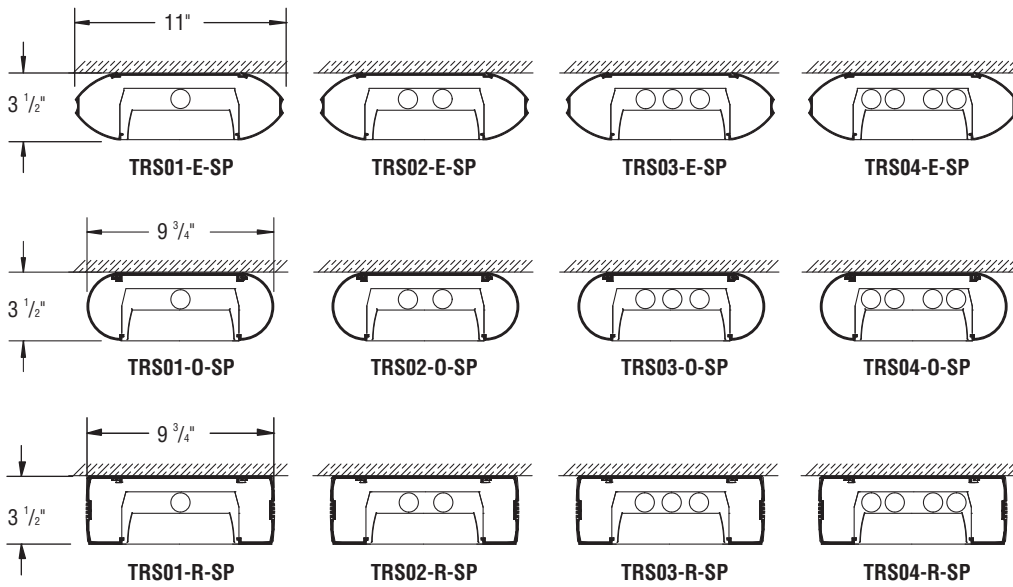
To view Wood Grain, Marble and Granite Finishes on our Website see "Products"- "Specialty Finishes".



Trilinea Series (T8, T5 or T5HO Lamps)

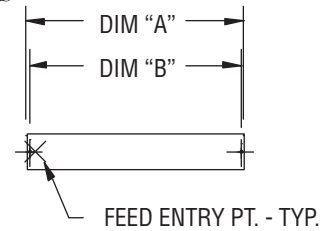
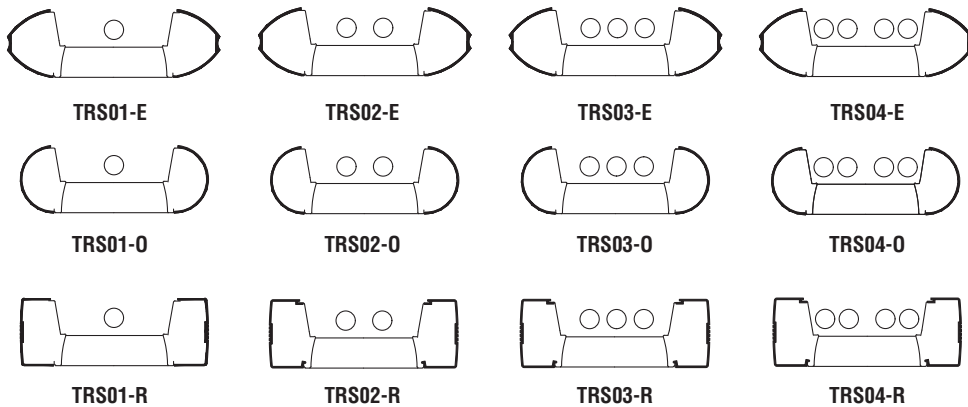
Standard Fixture Lengths and Mounting Centers

Ceiling Mount – Direct Configurations



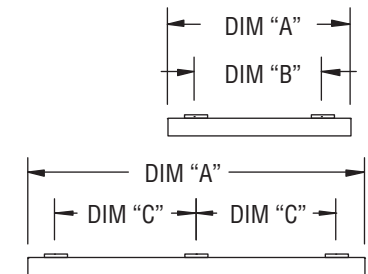
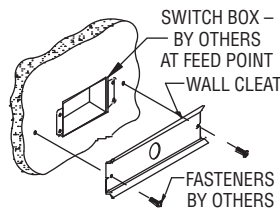
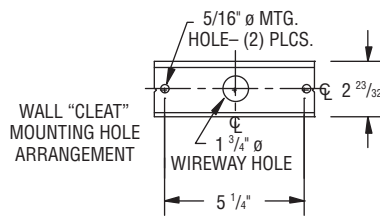
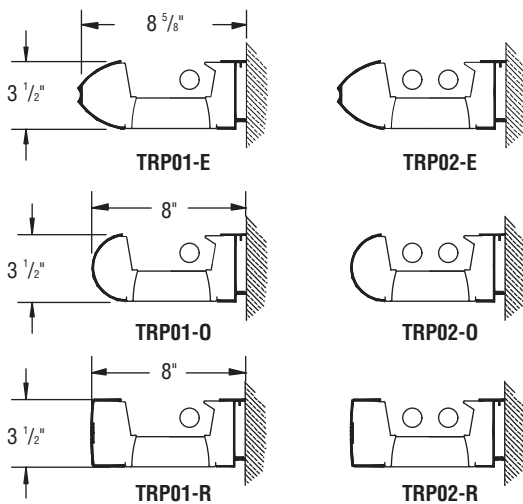
FIXTURE LENGTH	MOUNTING CENTERS	
DIM "A"	DIM "B"	DIM "C"
48 5/8"	36"	–
96 5/8"	84"	–
144 5/8"	–	66"

Stem & Cable Mount – Indirect/Direct and Direct Configurations



FIXTURE LENGTH	MOUNTING CENTERS
DIM "A"	DIM "B"
48 5/8"	48"
96 5/8"	96"
144 5/8"	144"

Wall Mount – Indirect/Direct and Direct Configurations



FIXTURE LENGTH	MOUNTING CENTERS	
DIM "A"	DIM "B"	DIM "C"
48 5/8"	36"	–
96 5/8"	84"	–
144 5/8"	–	66"

PAL RESERVES THE RIGHT TO CHANGE PRODUCT DESIGN AND SPECIFICATIONS. CONTACT FACTORY FOR MOST RECENT PRODUCT INFORMATION.

