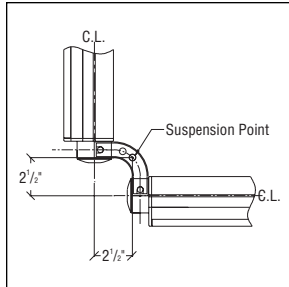
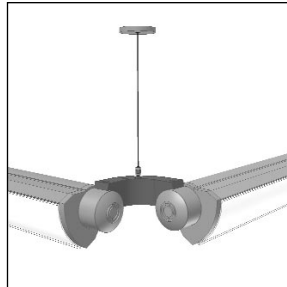


S P E C I F I C A T I O N S



90° Elbow



Accentra Series 3 1/4" x 3 1/4"

Construction One piece die-cast aluminum.

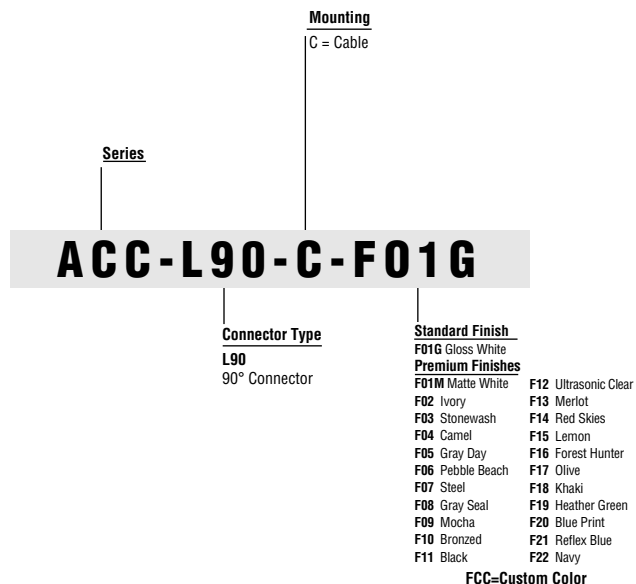
Finish Standard and premium finishes are baked powder coat electrostatically applied (2.0 mil. minimum thickness) to assure aesthetics and durability.

H O W T O O R D E R

Standard Connectors are 2-way 90°

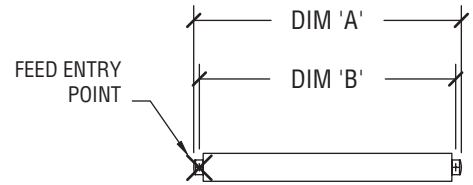
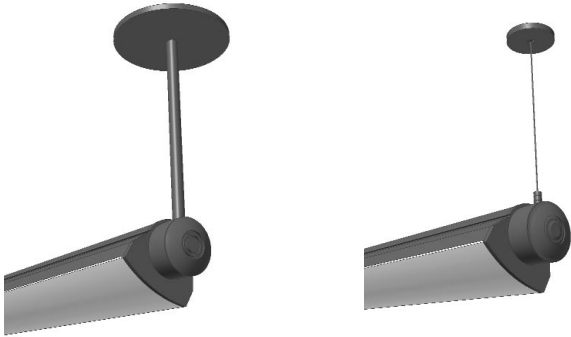
Catalog Logic

All connectors should be specified and ordered as follows:



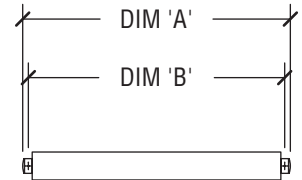
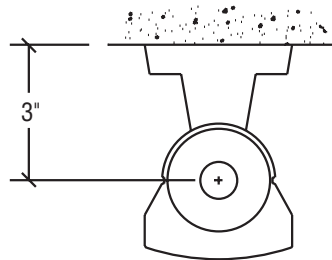
Accentra Series

Standard Fixture Lengths and Mounting Centers Stem & Cable Mounting - 359° Rotatable



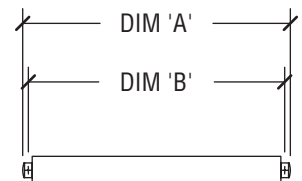
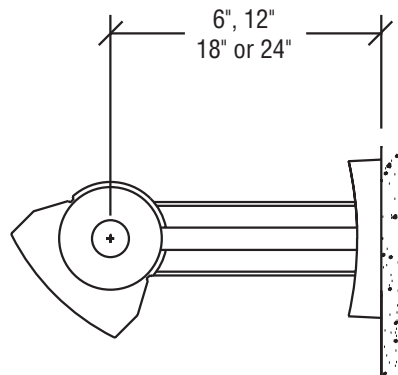
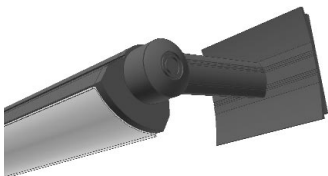
FIXTURE LENGTH	MOUNTING CENTERS
DIM 'A'	DIM 'B'
26 1/8"	24 7/16"
37 15/16"	36 1/4"
49 3/4"	48"
74 1/16"	72 3/8"
97 11/16"	96"

Ceiling Mounting - 359° Rotatable



FIXTURE LENGTH	MOUNTING CENTERS
DIM 'A'	DIM 'B'
26 1/8"	24 7/16"
37 15/16"	36 1/4"
49 3/4"	48"
74 1/16"	72 3/8"
97 11/16"	96"

Wall Mounting - 359° Rotatable



FIXTURE LENGTH	MOUNTING CENTERS
DIM 'A'	DIM 'B'
26 1/8"	24 7/16"
37 15/16"	36 1/4"
49 3/4"	48"
74 1/16"	72 3/8"
97 11/16"	96"

