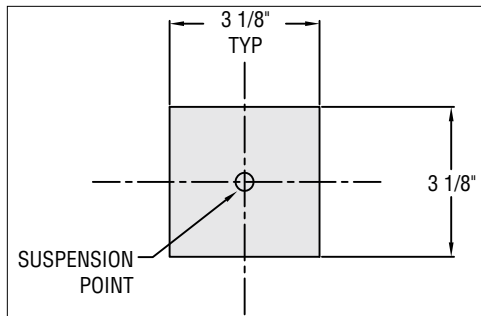


Microlinea Series

Connector Specifications

S P E C I F I C A T I O N S



Microlinea Series

- Direct only or Indirect only** 3 1/8" w x 3 1/2" h fixtures
- Indirect/Direct** 3 1/8" w x 5" h fixtures

Connector Construction

- With Indirect or Direct Fixtures: 3 1/2" high one piece .090" thick extruded aluminum with removable cover plate for easy access.
- With Indirect/Direct Fixtures: 5" high one piece .090" thick extruded aluminum with removable cover plate for easy access.

Finish

Standard and premium finishes are baked powder coat electrostatically applied (2.0 mil. minimum thickness) to assure aesthetics and durability.

H O W T O O R D E R

Standard connectors are 2-way (90° corner), 3-way "T", and 4-way "X".

Catalog Logic

All connectors should be specified and ordered as follows:

<p>SERIES</p>	<p>Mounting CN = Cable (Non-Tbar) Fully Adjustable (36" Standard) P = Rigid Stem (Up to 48" Standard) K = Swivel Stem (Up to 48" Standard)</p>
<p>MLS - L90 - CN - F01G</p>	
<p>CONNECTOR TYPE L90 = 90° Corner T = 3-Way Connector X = 4-Way Connector</p>	<p>Standard Finishes F01M Matte White F01G Gloss White Premium Finishes F02 Ivory F13 Merlot F03 Stonewash F14 Red Skies F04 Camel F15 Lemon F05 Gray Day F16 Forest Hunter F06 Pebble Beach F17 Olive F07 Steel F18 Khaki F08 Gray Seal F19 Heather Green F09 Mocha F20 Blue Print F10 Bronzed F21 Reflex Blue F11 Black F22 Navy F12 Ultrasonic Clear FCC Custom Color</p>

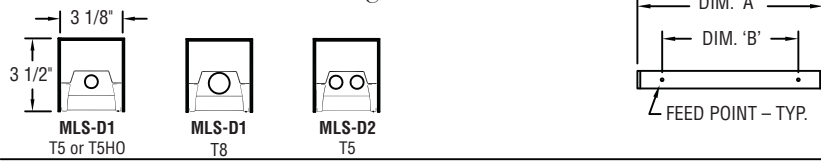
To view Wood Grain, Marble and Granite Finishes on our Website see "Products"--"Specialty Finishes".



Microlinea Series

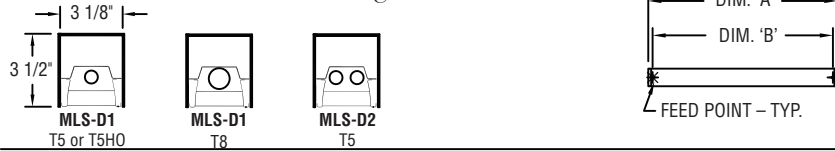
Standard Fixture Lengths and Mounting Centers

Stem Mount - Direct Configurations



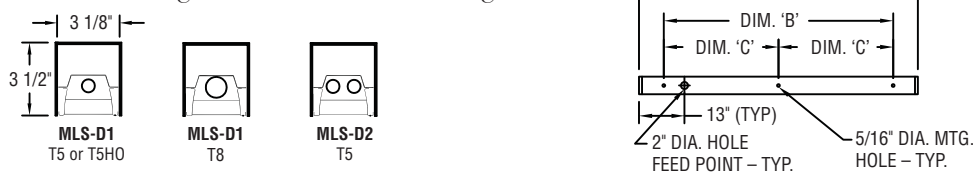
FIXTURE LENGTH DIM 'A'	MOUNTING CENTERS DIM 'B'
50"	36"
98"	84"
146"	132"

Cable Mount - Direct Configurations



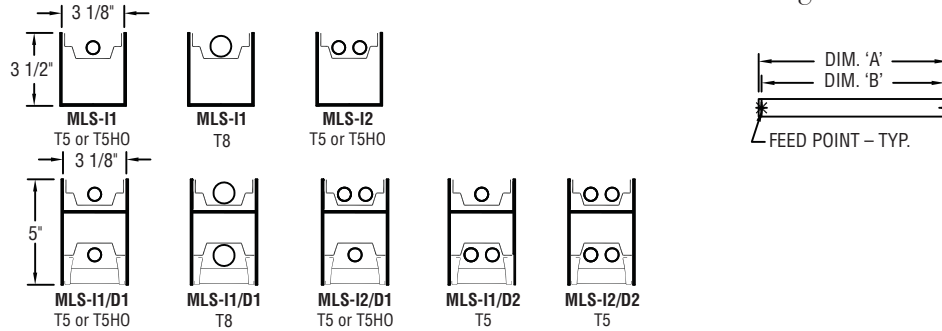
FIXTURE LENGTH DIM 'A'	MOUNTING CENTERS DIM 'B'
50"	48"
98"	96"
146"	144"

Direct Ceiling Mount - Direct Configurations



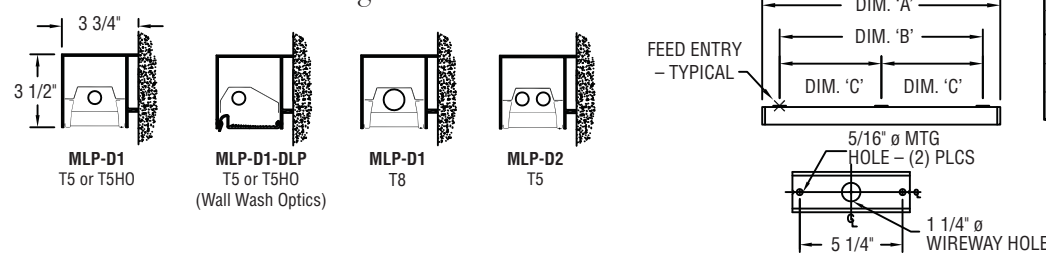
FIXTURE LENGTH DIM 'A'	MOUNTING CENTERS	
	DIM 'B'	DIM 'C'
50"	36"	—
98"	84"	—
146"	—	66"

Stem and Cable Mount - Indirect and Indirect/Direct Configurations



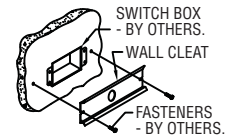
FIXTURE LENGTH DIM 'A'	MOUNTING CENTERS DIM 'B'
50"	48"
98"	96"
146"	144"

Wall Mount - Direct Configurations

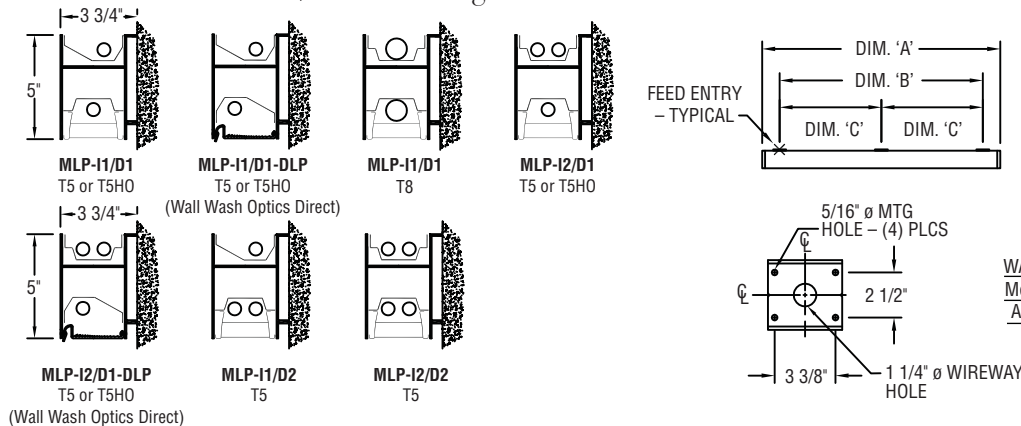


FIXTURE LENGTH DIM 'A'	MOUNTING CENTERS	
	DIM 'B'	DIM 'C'
50"	36"	—
98"	84"	—
146"	—	66"

WALL "CLEAT"
Mounting Hole
Arrangement

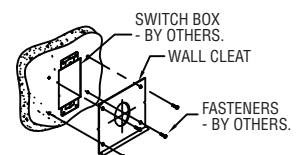


Wall Mount - Indirect/Direct Configurations



FIXTURE LENGTH DIM 'A'	MOUNTING CENTERS	
	DIM 'B'	DIM 'C'
50"	36"	—
98"	84"	—
146"	—	66"

WALL "CLEAT"
Mounting Hole
Arrangement



PAL RESERVES THE RIGHT TO CHANGE PRODUCT DESIGN AND SPECIFICATIONS. CONTACT FACTORY FOR MOST RECENT PRODUCT INFORMATION.

