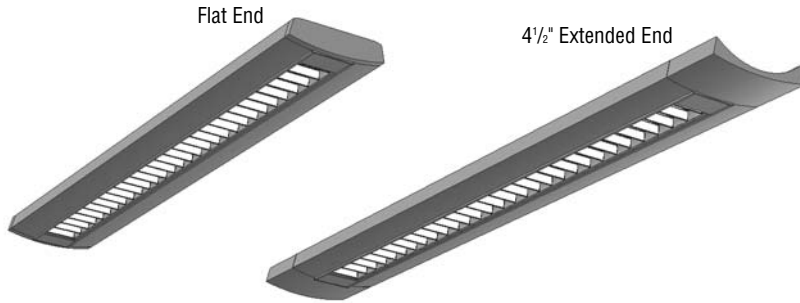


# Delgada

Catalog Number	Type
Project Name	



## DCS01

7<sup>5</sup>/<sub>8</sub>" x 2" Indirect/Direct  
(T5 or T5HO Lamps)

### S P E C I F I C A T I O N S

#### Housing

Two-piece .080" thick extruded aluminum. Standard lengths are 4', 8' and 12'. Provisions may be made for continuous rows of any length.

#### End Caps

- (FE) Flat End  
.100" thick die-cast aluminum finished to match fixture housing and secured with no visible fasteners.
- (XE) 4<sup>1</sup>/<sub>2</sub>" Extended End  
.100" thick die-cast aluminum finished to match fixture housing and secured with no visible fasteners.

#### Direct Optical Controls

- (PB) 3<sup>3</sup>/<sub>4</sub>" deep semi-specular aluminum parabolic baffle with blades on 1<sup>1</sup>/<sub>2</sub>" centers
- (PBW) 3<sup>3</sup>/<sub>4</sub>" deep parabolic white baffle with blades on 1<sup>1</sup>/<sub>2</sub>" centers
- (RDPL) .118" thick acrylic optical panel with .080" round openings on .110 centers (50% open area)
- (SQPL) .118" thick acrylic optical panel with .080" square openings on .110 centers (50% open area)

#### Reflectors

Die-formed from .022" thick high reflectance specular aluminum.

#### Ballast

Standard ballasts for T5 and T5HO lamps are UL/CUL Listed, Class P, HPF, Electronic, Universal 120/277volt, Program Rapid Start with <10% THD.

#### Circuitry

All fixtures are factory pre-wired for a single circuit. Provision for multiple switching/circuiting is optional.

#### Wiring

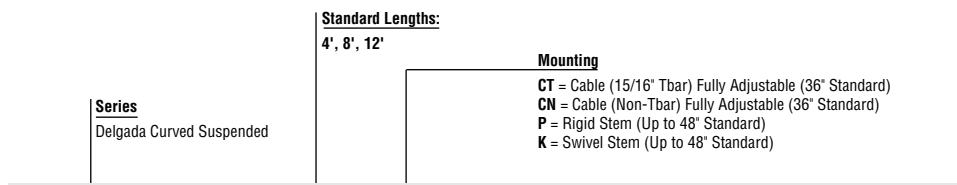
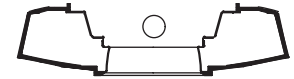
All fixtures intended for continuous rows are provided with factory installed 12 ga. quick-connect wiring harness.

#### Finish

Standard and premium finishes are baked powder coat electrostatically applied (2.0 mil minimum thickness) to assure aesthetics and durability.

#### Certification

All fixtures are UL/CUL listed for use in "Dry Applications". "Damp Location" listing is optional.



## DCS01-XE-12-CT-PB-F01M-V-T5HO-[]

End Caps	Direct Optical Control	Standard Finish	Voltage	Lamp Type	Options
FE Flat End	PB Parabolic Baffle	F01M Matte White F01G Gloss White	120	T5	EM Emergency Battery Pack
XE 4 1/2" Extended End	PBW Parabolic White Baffle	<b>Premium Finishes</b> F02 Ivory F03 Stonewash F04 Camel F05 Gray Day F06 Pebble Beach F07 Steel F08 Gray Seal F09 Mocha F10 Bronzed F11 Black F12 Ultrasonic Clear	277 347* *Contact Factory	T5HO	2Ckt Two Circuit Wiring
	RDPL Round Perf Lens	F13 Merlot F14 Red Skies F15 Lemon F16 Forest Hunter F17 Olive F18 Khaki F19 Heather Green F20 Blue Print F21 Reflex Blue F22 Navy FCC Custom Color			Dim Dimming
	SQPL Square Perf Lens				FS Fused Ballast
					DC (Not available for T5HO) Clear Acrylic Dust Cover



To view Wood Grain, Marble and Granite Finishes on our Website see "Products"- "Specialty Finishes".

# DCS01

## Indirect/Direct - T5HO Lamps

### Semi-Specular Baffle

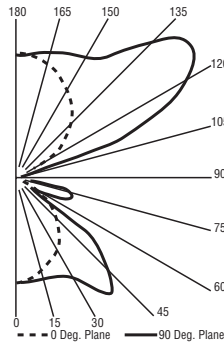
Catalog Number: DCS01-FE-4-CT-PB-F01M-120-T5HO

Report Number: LTL#10331.ies

Luminaire Description: Extruded Aluminum Housing with Specular Aluminum Reflector and Semi-Specular Aluminum Baffle Open Top

Lamps: One Philips F54T5/841/HO/ALTO Rated at 4400 Lumens

Total Luminaire Efficiency = 85.5%  
67% Up 33% Down



### CANDELA DISTRIBUTION

	LUMENS				
	0.0	22.5	45.0	67.5	90.0
0	443	443	443	443	443
5	441	440	443	442	442
15	414	418	432	443	448
25	371	382	414	446	463
35	310	336	400	498	579
45	237	286	438	513	536
55	143	233	277	222	179
65	22	45	86	123	168
75	5	6	10	20	34
85	1	2	2	2	3
90	1	1	1	1	1
95	20	42	8	10	11
105	80	302	362	271	245
115	161	320	618	688	703
125	245	335	614	846	909
135	326	388	504	708	796
145	394	435	508	565	595
155	449	471	515	550	564
165	488	495	516	531	537
175	509	506	511	513	512
180	508	508	508	508	508

### COEFFICIENTS OF UTILIZATION - ZONAL CAVITY METHOD

Effective Floor Cavity Reflectance 0.20

RC	80				70				50				30				10				0					
RW	70	50	30	10	70	50	30	10	50	30	10	50	30	10	50	30	10	50	30	10	50	30	10	50	30	10
0	88	88	88	88	79	79	79	79	63	63	63	48	48	48	35	35	35	28	28	28	28	28	28	28	28	
1	81	78	75	72	73	70	68	65	56	55	53	43	42	41	32	31	30	25	25	25	25	25	25	25	25	
2	74	69	64	60	67	62	58	55	50	47	45	39	37	36	29	28	27	22	22	22	22	22	22	22	22	
3	68	61	55	50	61	55	50	46	45	41	38	35	33	31	26	24	23	19	19	19	19	19	19	19	19	
4	62	54	47	43	56	49	44	39	40	36	33	31	29	26	23	22	20	17	17	17	17	17	17	17	17	
5	57	48	41	36	51	43	38	34	35	31	28	28	25	23	21	19	17	14	14	14	14	14	14	14	14	
6	52	43	36	31	47	39	33	29	32	27	24	25	22	20	19	17	15	13	13	13	13	13	13	13	13	
7	48	38	32	27	43	35	29	25	28	24	21	22	19	17	17	15	13	11	11	11	11	11	11	11	11	
8	44	34	28	23	40	31	26	22	25	21	18	20	17	15	15	13	11	9	9	9	9	9	9	9	9	
9	41	31	24	20	37	28	22	19	23	19	16	18	15	13	13	11	10	8	8	8	8	8	8	8	8	
10	38	28	22	18	34	25	20	16	21	17	14	16	13	11	12	10	9	7	7	7	7	7	7	7	7	

### Acrylic Optical Panel

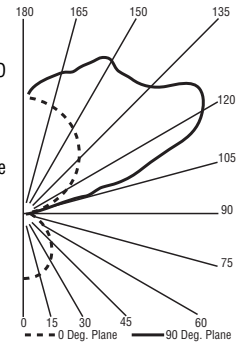
Catalog Number: DCS01-FE-4-CT-SQPL-F01M-120-T5HO

Report Number: LTL#10337.ies

Luminaire Description: Extruded Aluminum Housing with Specular Aluminum Reflector with Frosted Patterned Acrylic Enclosure Open Top

Lamps: One Philips F54T5/841/HO/ALTO Rated at 4400 Lumens

Total Luminaire Efficiency = 85.7%  
80% Up 20% Down



### CANDELA DISTRIBUTION

	LUMENS				
	0.0	22.5	45.0	67.5	90.0
0	306	306	306	306	306
5	305	305	306	304	304
15	290	290	292	292	292
25	261	262	267	268	269
35	221	224	228	231	232
45	175	177	181	183	184
55	127	129	131	132	133
65	81	82	83	81	81
75	41	41	40	38	38
85	11	10	9	7	7
90	1	1	1	1	1
95	21	35	9	11	12
105	97	338	365	251	229
115	190	392	708	815	824
125	282	494	668	932	1005
135	364	533	687	785	837
145	433	574	753	785	806
155	487	587	674	755	806
165	526	581	643	682	695
175	547	555	577	588	592
180	545	545	545	545	545

### COEFFICIENTS OF UTILIZATION - ZONAL CAVITY METHOD

Effective Floor Cavity Reflectance 0.20

RC	80				70				50				30				10				0					
RW	70	50	30	10	70	50	30	10	50	30	10	50	30	10	50	30	10	50	30	10	50	30	10	50	30	10
0	86	86	86	86	76	76	76	76	57	57	57	40	40	40	25	25	25	17	17	17	17	17	17	17	17	
1	78	75	72	69	69	66	64	61	50	49	47	36	35	34	22	22	21	15	15	15	15	15	15	15	15	
2	71	65	61	56	63	58	54	51	44	42	39	31	30	28	20	19	18	13	13	13	13	13	13	13	13	
3	65	58	52	47	57	51	46	42	39	36	33	28	26	24	18	17	16	11	11	11	11	11	11	11	11	
4	60	51	45	40	52	45	40	36	35	31	28	25	23	21	16	15	14	10	10	10	10	10	10	10	10	
5	54	45	39	34	48	40	35	31	31	27	24	22	20	18	14	13	12	8	8	8	8	8	8	8	8	
6	50	40	34	29	44	36	30	26	28	24	21	20	17	15	13	11	10	7	7	7	7	7	7	7	7	
7	46	36	30	25	41	32	27	23	25	21	18	18	15	13	11	10	9	6	6	6	6	6	6	6	6	
8	43	33	26	22	37	29	24	20	22	19	16	16	14	12	10	9	8	5	5	5	5	5	5	5	5	
9	39	29	23	19	35	26	21	17	20	16	14	15	12	10	9	8	7	4	4	4	4	4	4	4	4	
10	37	27	21	17	32	24	19	15	18	15	12	13	11	9	9	7	6	3	3	3	3	3	3	3	3	

